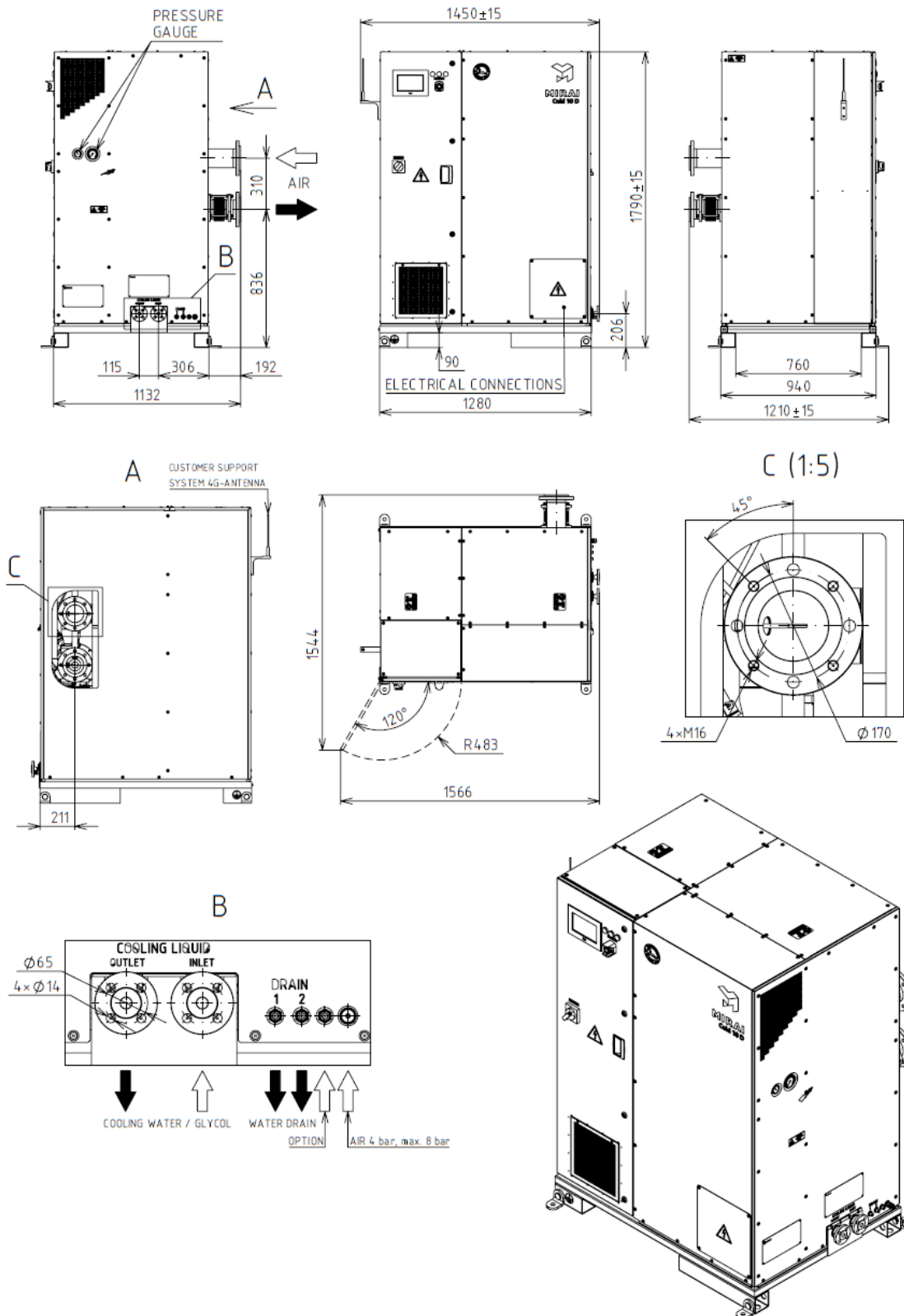


CERTIFICATION

MIRAI Cold 10 D is CE certified by respected European certification organization. CE certification covers:

- **Pressure equipment directive (PED) 2017/68/EU**, Module A2 Certificate
- **Electromagnetic compatibility directive (EMC) Directive 2014/30/EU** Certificate
- **Low voltage directive (LVD) 2014/35/EU** Certificate
- **Machinery directive (MD) 2006/42/EC**

DIMENSIONS AND CONNECTIONS OF THE MACHINE



DIMENSIONS OF THE MACHINE WITH HEAT EXCHANGER AND FAN

