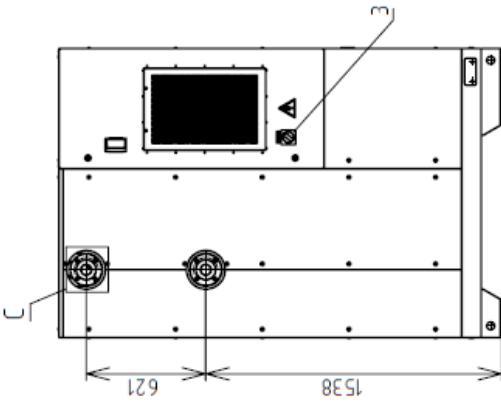
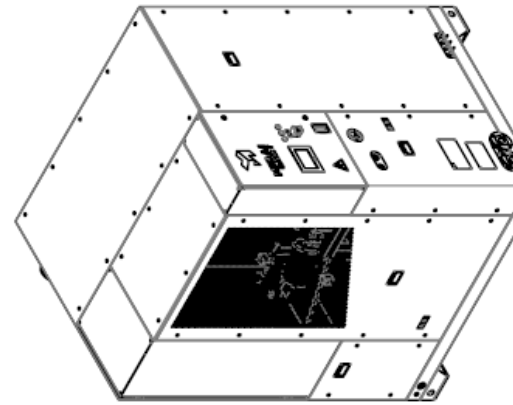


DIMENSIONS AND CONNECTIONS OF THE MACHINE

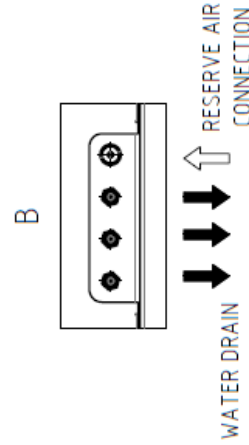
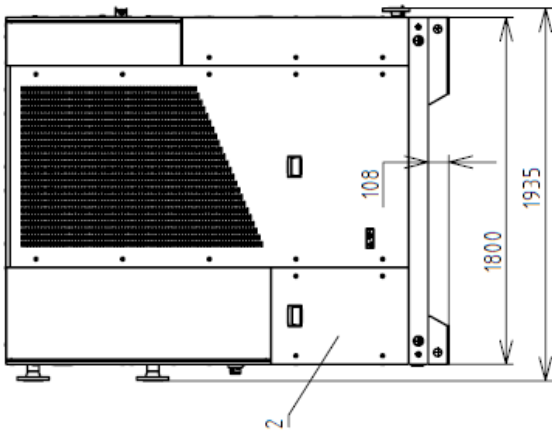


↓ SILICON OIL ↑

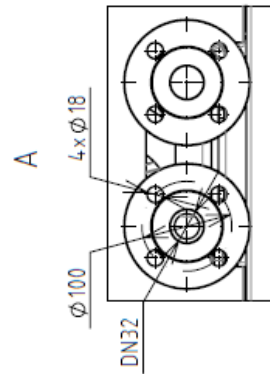
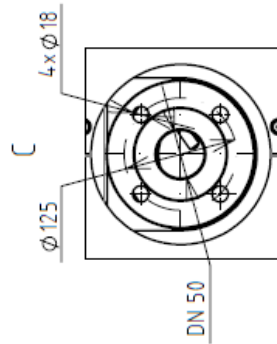
- 1 - EMERGENCY STOP BUTTON
- 2 - ELECTRICAL CONNECTIONS
- 3 - POWER SWITCH
- 4 - PRESSURE GAUGE



MIRAI COLD 30 T (MC 30 C/W/T V02)



↑ INLET
↓ OUTLET



↑ COOLING WATER/GLYCOL MIXTURE
↓

