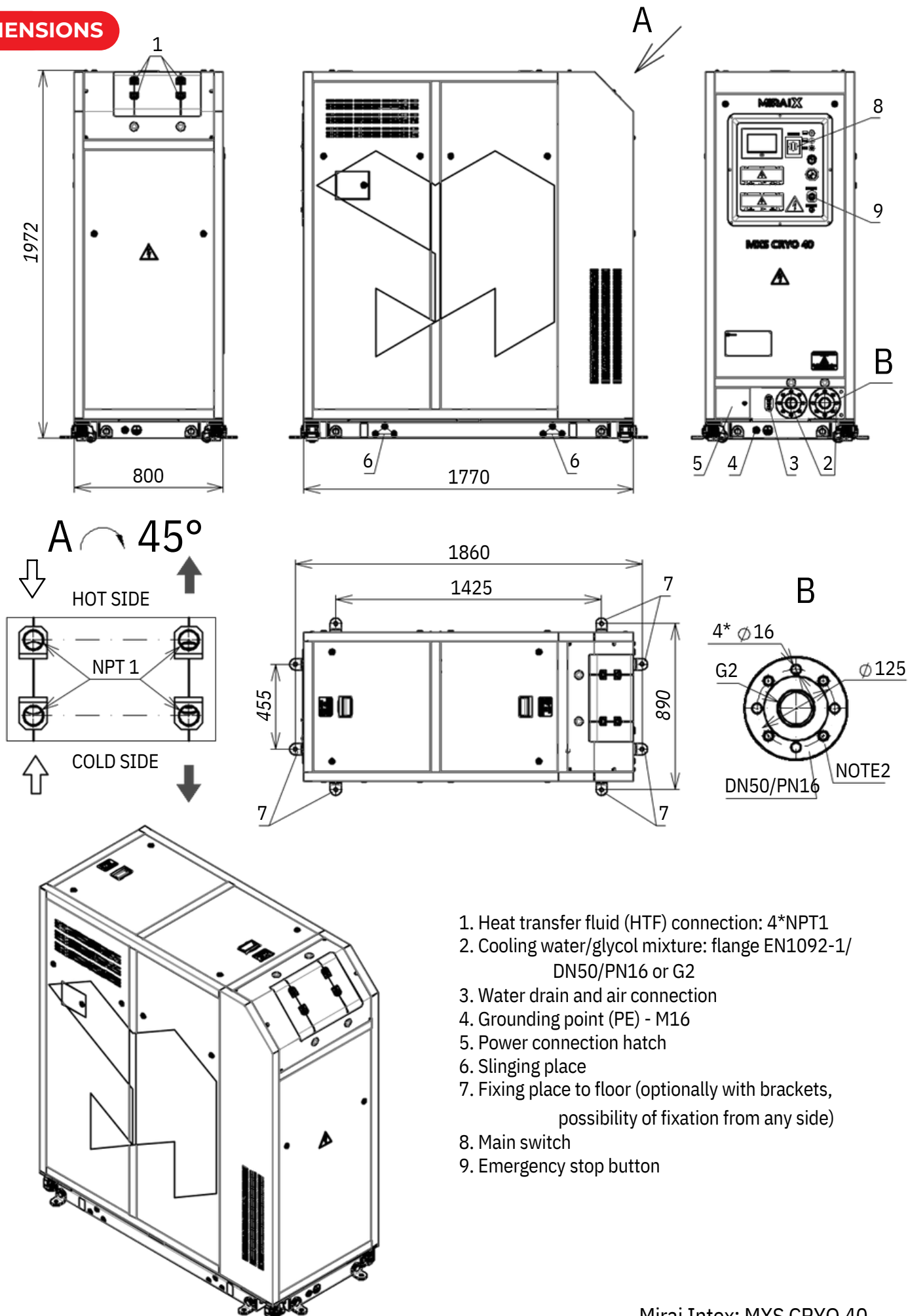


DIMENSIONS



1. Heat transfer fluid (HTF) connection: 4*NPT1
2. Cooling water/glycol mixture: flange EN1092-1/
DN50/PN16 or G2
3. Water drain and air connection
4. Grounding point (PE) - M16
5. Power connection hatch
6. Sliding place
7. Fixing place to floor (optionally with brackets,
possibility of fixation from any side)
8. Main switch
9. Emergency stop button

Mirai Intex: MXS CRYO 40