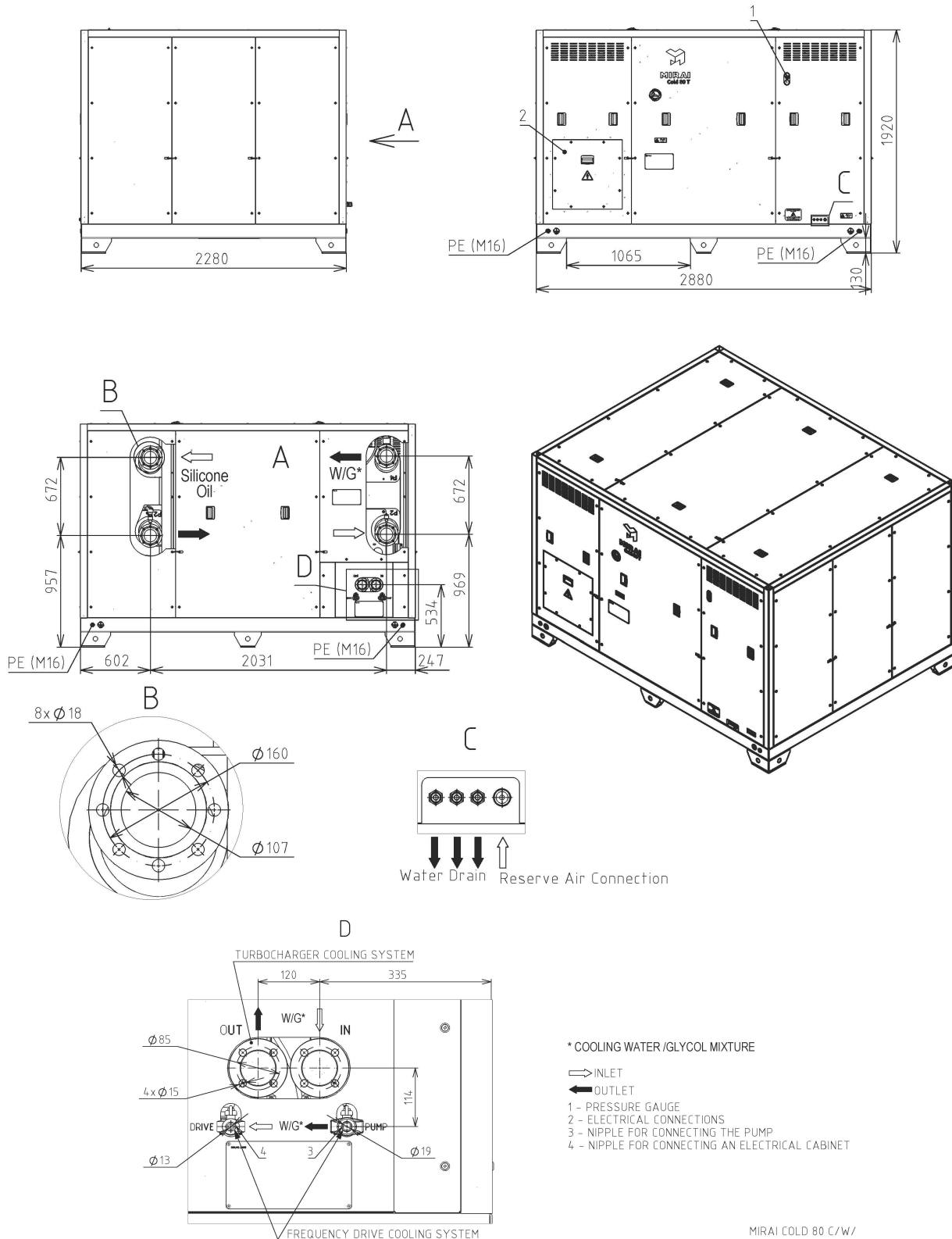


CERTIFICATION

MIRAI Cold 80 T is CE certified by respected European certification organization. CE certification covers:

- **Pressure equipment directive (PED) 2017/68/EU, Module A2 Certificate**
- **Electromagnetic compatibility directive (EMC) Directive 2014/30/EU Certificate**
- **Low voltage directive (LVD) 2014/35/EU Certificate**
- **Machinery directive (MD) 2006/42/EC**

DIMENSIONS AND CONNECTIONS OF THE MACHINE



* COOLING WATER /GLYCOL MIXTURE

- ⇨ INLET
- ⇦ OUTLET
- 1 - PRESSURE GAUGE
- 2 - ELECTRICAL CONNECTIONS
- 3 - NIPPLE FOR CONNECTING THE PUMP
- 4 - NIPPLE FOR CONNECTING AN ELECTRICAL CABINET

MIRAI COLD 80 C/W/

ELECTRICAL CABINET

MIRAI Cold 80 T is equipped with separate electrical cabinet with control system touchscreen. Electrical cabinet can be located according to customer's requirements in different area than the refrigeration machine (possible only with MIRAI Cold 80 T). Electrical cabinet could have a separate cooling circuit (Ø13) or could be connected to the same cooling circuit required for machine cooling (DN25) with water / glycol mixture – see details in Technical Specification above. Signal cable included (length 5 m). Power cable not included.

